

## Concealed thermostat with built-in isolators -

---

35 428 970 90



- pre-seal
- lead-free, dezincification resistant
- 2x back flow preventer
- 3x outlet G 1/2"
- 2x female thread 1/2" connections
- dust cover
- anti-water packing
- sound and thermal insulation
- gauge 70 mm
- suitable for xGRID (when using installation track + 12 mm recess depth)

Can only be combined with exposed trim parts 36 427 SSS-FF

### Recommended miscellaneous

---



**xGRID Attachment set for  
integrating in the dry wall  
construction -**

12 340 970 90

### Required miscellaneous

---

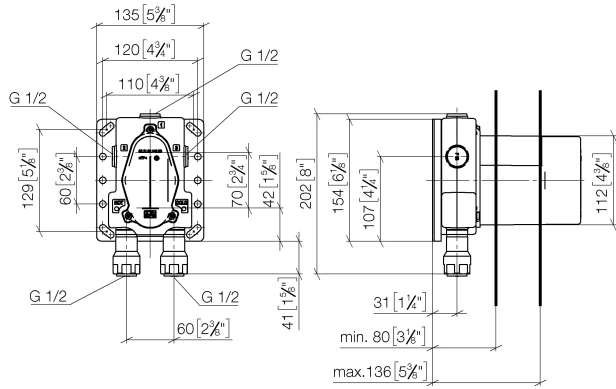


**xGRID Installation track 555 mm - 12 360 970 90**

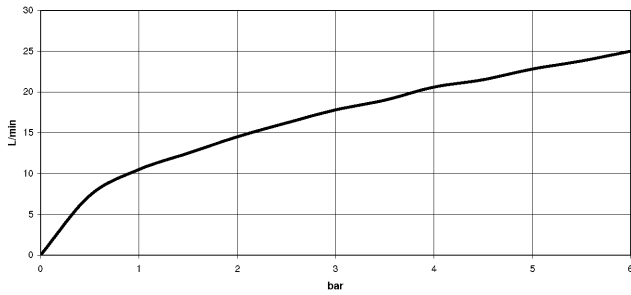
**Concealed thermostat with built-in isolators -**

35 428 970 90

mm [inches]



**Flow rate chart**

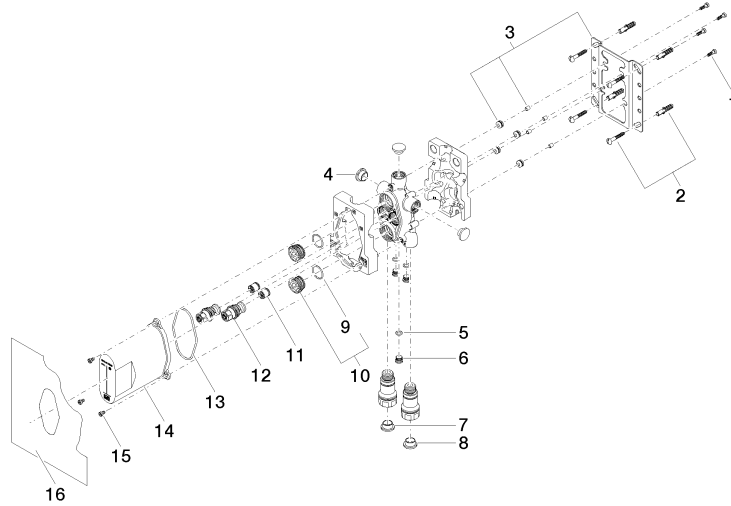


**Certificates**

Belgaqua\_22\_279\_2 DVGW\_DW- WRAS\_1906098.  
7\_6. 6512DN0119.

**Concealed thermostat with built-in isolators -**

35 428 970 90



**Spare parts list**

| No. | Item Number        | Name                | Quantity used | Delivery time |
|-----|--------------------|---------------------|---------------|---------------|
| 1   | 09 30 30 171 90    | screw               | 4             | 2             |
| 2   | 04 30 31 024 01 90 | fixing set          | 2             | 2             |
| 3   | 04 17 20 127 00 90 | holder              | 1             | 2             |
| 4   | 09 31 20 092 90    | plug                | 4             | 2             |
| 5   | 09 14 10 139 90    | seal                | 3             | 2             |
| 6   | 04 31 20 039 11 90 | plug                | 3             | 2             |
| 7   | 09 31 20 093 90    | plug                | 1             | 2             |
| 8   | 09 31 20 094 90    | plug                | 1             | 2             |
| 9   | 09 14 10 112 90    | seal                | 2             | 2             |
| 10  | 04 30 11 149 00 90 | plug                | 2             | 2             |
| 11  | 90 23 01 040 00 90 | back-flow preventer | 2             | 2             |
| 12  | 04 29 05 031 01 90 | insert              | 2             | 2             |
| 13  | 09 14 10 512 90    | seal                | 1             | 2             |
| 14  | 04 21 02 146 00 90 | cap                 | 1             | 2             |
| 15  | 09 30 30 112 90    | screw               | 3             | 2             |
| 16  | 04 14 03 080 00 90 | gasket kit          | 1             | 2             |